

Programmable Digital Panel Meter Model UM 2700

Highlights

- Signal Input 0 - 10 V and 0/4 - 20 mA
- DIN Housing 72 x 36 mm
- LED Display 14 mm
- Switchboard- or Mosaic System Mounting
- Plug-In Screw Terminal
- Isolated Power Supply
- Optocouple Output

Comments

UM 2700

- Voltage 0 - 10 V
- Current 0 - 20 mA resp. 4 - 20 mA
- Display range -999 .. 9999
- Resolution max. 4000 digits
- Accuracy 0,1% ±1 digit

Standard functions

Software functions

- Scaling-factor
- Userdefined linearization up to 9 points
- Adjustable digital filter
- Peak detection
- Decimal point
- Last digit in 1, 2, 5 or 10 steps
- Display test

Digital input channels

The instrument is provided with three digital input channels. The digital input channels are low active. The digital inputs are carried out following functions:

- Programming
- Display test
- Reset of peak detection
- Display of limiting value

Optocouple output

The instrument is provided with a optocouple output. Alternatively the optocouple output can be programmed for following functions:

1. Serial output

Continually measured value transmitting at ASCII-Code with following data format:

- Sign or X, X, X, (dp), X, 0D_H, 0A_H
- 9600 Bd, 1 start bit, 8 data bits, 1 stop bit



2. Limiting value

The instrument is provided with a optocouple output for limiting value function. Following function can be programmed:

- Alarm point and hysteresis
- High or low alarm

Power supply

- 18 .. 36 V DC isolated
- Optional 12 V DC isolated
- Optional 5 V DC isolated

Programming

The programming is easy and clearly arranged. By means of a programming menu the user is taken through this programming. The programming is carried out through the digital input channels.

Optionen

Housing type

- Switch board mounting DIN 43700
- Mosaic system mounting (Siemens 8RU)

Colour of the front frame

- Black

Design of the front

- Without front foil
- Front foil ERMA-METER or NEUTRAL
- Unit overprint

Display colour

- Red
- Green

Technical data

Display	: 4 decades, 14 mm, red (opt. green)
Input impedance	: at voltage > 1 MΩ : at current approx. 10 Ω
Conversion rate	: approx. 5 per sec
Digital input	: 10 kΩ to +5 V : low level < 0,4 V : high level > 3,5 V, max. 30 V
Optocouple output	: max. 10 mA, 70 V, max. 150 mW
Limit value	: 9600 baud, 1, 8, N, 1
Serial data	
Power supply DC	: 18 V to 36 V DC, isolated
optional	: 12 V DC, ± 10 %, isolated
optional	: 5 V DC, ± 10 %, isolated
Power consumption	: approx. 65 mA (red)
(18 .. 36 V DC)	: approx. 75 mA (green)
Housing	: switch board mounting DIN 43700
Dimensions	: 72 x 36 x 62 mm
Depth	: < 72 mm incl. screw terminal
Protection	: front IP 40
EMV	: in conform with 89/336/EWG
Operating temperature	: 0 .. 50 °C

Ordering information

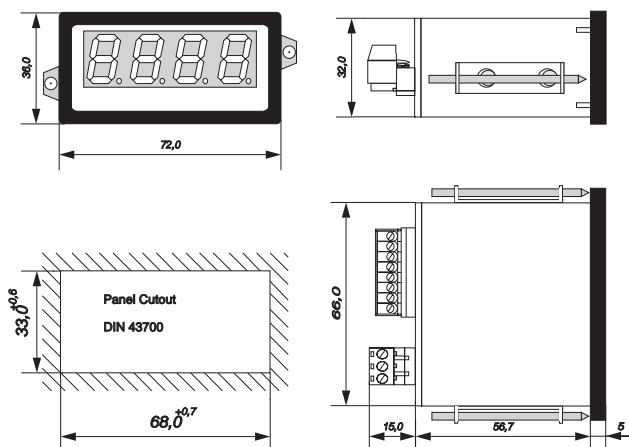
UM 2700 -	
	Housing
	0 Switch board mount
	1 Panel clip
	Front frame colour
	0 Black
	Front design
	0 Without front foil
	1 Front foil ERMA-METER
	2 Front foil NEUTRAL
	Display colour
	0 Red
	1 Green
	Power supply
	0 5 V DC, ± 10%, isolated
	1 12 V DC, ± 10 %, isolated
	2 18 .. 36 V DC, isolated

Unit overprint

Please specify in clear text at order !

Dimensions

Switch board mounting



Panel clip

