



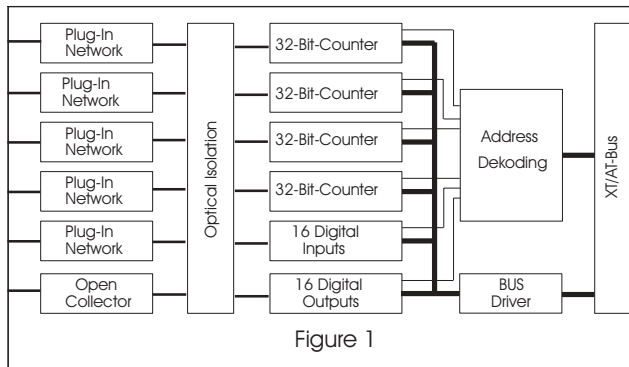
**Isolated
Up/Down-Counter-Board
Model ZIB 1155/OPTO**

Highlights

- Input/Output-To-System Isolation
- Programmable Functions
- 4 Channel 32-Bit-Up/Down-Counter
- Event Counting
- Soft- Or Hardware-Reset
- Common Latch Input
- 16 Digital Input Channels
- 16 Digital Output Channels

General

The counter card type ZIB 1155/OPTO was designed to interface with PC's internal BUS through any available expansion slot. The board contains 4 independent 32-bit-binary-counter, 16 digital inputs and 16 digital outputs. The main feature of this board is the input/output-to-system isolation, protecting the data acquisition system from damage caused by external high voltages.



Counters

The counters are used for measurement of length by the usage of incremental encoder with two channel outputs or for event counting. Several different modes are programmable. The available modes are listed below.

counter	modes
up/down	4-fold-mode
	2-fold-mode
	1-fold-mode
events	up-counter
	down-counter

The BASE address is switch selectable and can be located anywhere up to 3C0h. This allows installing multiple boards in the same host at the same time.

Digital I/O's

The digital inputs use plug-in resistance networks. By this way any desired input voltage level can be realized. The digital outputs are from open collector type. Currents up to 100 mA and voltages up to 30V can be applied.

Software

A disk is included with programming examples for Basic, Turbo Pascal, C, Visual Basic, 16 Bit DLL for Windows 3.X, and 32 Bit DLL for Windows 95.

Technical Specifications

Counter	: 4 x 32 Bit-Counter
Input Voltage Level	: 5 V, 12 V, 24 V or Customer Defined
Input Frequency	: max. 300 kHz
Digital Inputs	: 16 Channels
Input Voltage Level	: 5 V, 12 V, 24 V Or Customer Defined
Digital Outputs	: 16 Channels
Current	: max. 100 mA
Voltage	: max. 30 V
Power Supply	: +5 V, max. 0,5 A
Connector	: DB50-male
EMV	: EMV-conformwith 89/336/EWG
Operating Temperaturer	: 0 - 50 °C
Storage	: - 25 to +85 °C
Dimensions	: 163 x 100 mm
-	-

Ordering Information

ZIB1155-OPTO/X/XX/XX	Digital Input Level:
	05 =5 V
	12 =12 V
	24 =24 V
	Counter Input Level:
	05 =5 V
	12 =12 V
	24 =24 V
	Number Of Counters:
	1 =1 Counter
	2 =2 Counter
	3 =3 Counter
	4 =4 Counter