

■ Programmable Digital Panel Meter Model DM 2400

Highlights

- LED Display, Red, 4 Decades, 8 mm
- DIN Housing 48 x 48 mm
- Voltage, Current, Thermocouples, Pt100
- User Configurable
- High Accuracy
- Userdefined Linearization
- 2 Alarm Relay Outputs
- Plug-In Screw Terminal
- Many Integrated Functions

Standard functions

Input ranges

- Voltage ± 10 V
- Current ± 20 mA
- Current 4 - 20 mA
- Thermocouple Type K, J, L, S, T, U, R
- Pt100 2-/4-Wire

Software functions

- Scaling-factor
- Adjustable digital filter of 1th order
- Peak and valley detection
- Automatic reset of peak and valley detection
- Userdefined linearization up to 10 points
- Display of temperature in °C or °F
- Taring
- Display test
- Display hold
- Setting of alarm points during measurement

Display

- Display range +9999 to -999
- Points programmable
- Data source: direct input, peak-, valley-, mean- or hold value
- Last digit: in 1, 2, 5 or 10 steps

Push buttons at the front

The two push buttons at the front can be programmed for performing the following functions:

- No function
- Reset of peak and valley detection
- Taring
- Reset of taring
- Manual alarm reset
- Setting of alarm point



- Showing one of following data source by pressing push button: peak-, valley- or mean value
- Display test
- Display hold

Alarm outputs

The instrument is provided with two alarms with relay output. For each alarm point there can be programmed following functions:

- Alarm point and hysteresis
- High or low alarms
- Alarm response time
- Data source: direct input, peak-, valley, mean- or hold value

Power supply

- 18 .. 36 V DC isolated
- Optional 12 V DC isolated
- optional 5 V DC isolated

Technical data

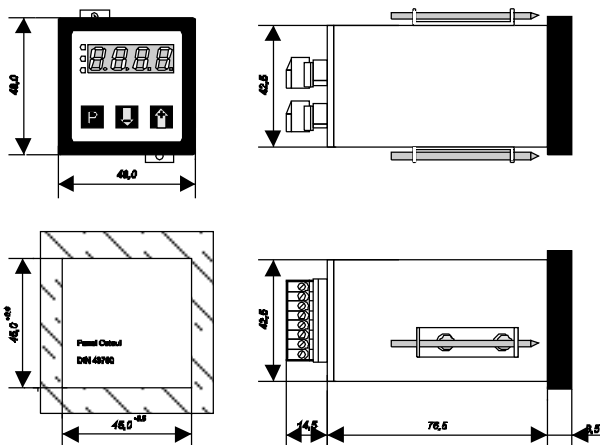
Input range
 Voltage : $\pm 10 \text{ V}$, $\pm 0,01 \%$
 Current : $\pm 20 \text{ mA}$, $\pm 0,01 \%$
 Thermocouple
 Ni-CrNi (K) : -100 to +1300 °C, $\pm 1 \text{ }^\circ\text{C}$
 Fe-CuNi (J) : -100 to +1000 °C, $\pm 1 \text{ }^\circ\text{C}$
 Fe-CuNi (L) : -100 to +900 °C, $\pm 1 \text{ }^\circ\text{C}$
 PtRh90/10%-Pt (S) : 0 to +1750 °C, $\pm 5 \text{ }^\circ\text{C}$
 Cu-CuNi (T) : -100 to +400 °C, $\pm 1 \text{ }^\circ\text{C}$
 Cu-CuNi (U) : -80 to +400 °C, $\pm 1 \text{ }^\circ\text{C}$
 PtRh87/13%-Pt (R) : 0 to +1400 °C, $\pm 2 \text{ }^\circ\text{C}$
 Temp. compensation : internal
 Pt100 : 2-/4-Wire
 Conversion rate : -99,9 to +600,0 °C, $\pm 0,5 \text{ }^\circ\text{C}$
 : 10 per sec
 Display : 4 decades, 8 mm, rot
 Power supply : 18 .. 36 V DC isolated
 Power consumption : approx. 80 mA
 Housing : switch board mounting DIN 43700
 Dimensions : 48 x 48 x 85 mm
 Depth : 100 mm incl. screw terminal
 Protection : front IP 54
 EMV : in conform with 89/336/EWG
 Operating temperature : 0 .. 50 °C
 Alarm outputs : Relay outputs
 : AC max. 250 V, 5 A, 1250 VA
 : DC max. 250 V, 5 A, 100 W
 Indication : two LEDs at the front

Ordering information

DM 2400-	0	0			
Housing					
0 Switch board mount					
1 Panel clip					
Front frame colour					
0 Black					
Front design					
1 No logo					
Reserve					
Power supply					
0 5 V DC, $\pm 10 \%$, isolated					
1 12 V DC, $\pm 10 \%$, isolated					
2 18 .. 36 V DC isolated					
Reserve					

Dimensions

Switch board mounting



Panel clip

