

■ Instrument for AC-Voltage/AC-Current Model DM 3202

Characteristics

- LED Display, red, 6 decades, 14 mm
- Display range -99999 .. 99999
- DIN housing 96 x 48 mm
- User configurable
- Userdefined linearization
- Power supply for remote external sensor
- 2 Alarm relay, analog output, interface
- Plug-in screw terminal

Input ranges

- Voltage, TRMS 0 .. 500 V
- Voltage, TRMS 0 .. 60 mV
- Current, TRMS 0 .. 1 A

Input signal

- DC .. 400 Hz, independent of signal form

Software functions

- Scaling factor
- Adjustable digital filter of 1th order
- MIN/MAX value detection
- Auto-Reset for MIN/MAX value
- Userdefined linearization up to 10 points
- Taring
- Displaytest and displayhold
- Setting of alarm points during measurement

Push buttons at the front

The three push buttons at the front are programmable to following functions:

- No function
- Displaying measured, mean or MIN/MAX value
- Reset MIN/MAX value
- Taring and reset of tare value
- Displayhold
- Displaying and setting of alarm point value
- Manual alarm reset

Digital input channels

These both inputs are low active and they are programmable to following functions:

- No function
- Displaying measured, mean or MIN/MAX value
- Resetting MIN/MAX value
- Taring and reset of tare value
- Displaytest and displayhold
- Manual alarm reset



Accessory power supply (only at AC-Version)

Builtin power supply for sensors, 24 V DC/125 mA, isolated to the further electronic.

Alarm outputs

Two programmable alarm outputs with free allocation allows the monitoring of production operation.

Programmable parameters:

- Alarm point and hysteresis
- Relay function (high or low alarm)
- Alarm release delay time and operate delay time
- Data source (measured, hold, mean and MIN/MAX value)

Option analog output

The option analog output is provided with a current output and a voltage output. Both output are isolated from the further electronic.

- To scale (offset and final value)
- Output 0(2) - 10 V or 0(4) - 20 mA
- Data source (measured, hold, mean and MIN/MAX value)

Option serial interfaces

Addition to data communication or to a host.

- RS 485

Elektrical Datas

Input ranges	
Voltage I	0 .. 500 V
Input resistance	> 10 M Ω
Voltage II	0 .. 60 mV
Input resistance	> 1 k Ω
Current	0 - 1 A
Voltage	< 60 mV
Frequency range	DC .. 400 Hz
Accuracy	
DC	< 0,1 % of input range
TRMS 40 .. 400 Hz	< 0,2 % of input range
Crestfactor	max. 5 (accuracy < 0,6% of i.r.)
Resolution of A/D-Converter	max. 15 bit
Setting time	< 2 s at changing
Conversion rate	5 measurings per sec
Digital inputs	2, programmable function
Logic	NPN, max. 30 V
Alarm outputs	2 Relays (programmable as opened contact or closed contact)
Signaling	2 LEDs at the front
Switch voltage	250 V AC / 250 V DC
Switch current	5 A AC / 5 A DC
Switch power	750 VA / 100 W
Analog output	resolution 16 bit
Accuracy	\pm 0,2% of final valuet
Voltage	0(2) - 10 V, max. 10 mA
Current	0(4) - 20 mA; max. 500 Ω
Isolation voltage	3 kV / 1 min
Interfaces	RS 485
Protocol	DIN 66 019 / ISO 1745
Isolation voltage	1,6 kV / 1 min
Power supply voltage AC	95 V to 250 V/AC
Isolation voltage	2,5 kV / 1 min
Power supply voltage DC	18 .. 36 V DC
Isolation voltage	500 V / 1 min
Power consumption	AC 9 VA, DC 70 mA
Accessory power supply	24 V DC / 125 mA (only at AC)
Isolation voltage	500 V / 1 min

Mechanical Datas

Display	6 decades, 14 mm, red Decimal point programmable preliminary zero suppression - sign at negative values
Operation, keyboard design	front membrane with push buttons
Case	switch board mounting DIN 43700
Dimensions (B x H x T)	96 x 48 x 141 mm
Depth	148 mm incl. screw terminal
Mounting	switch board mounting or mosaic-systems
Weight	ca. 400 g
Connection	Plug-In screw terminal

Environmental conditions

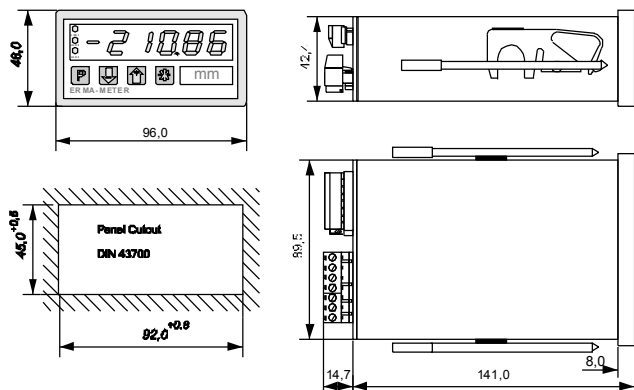
Operating temperature	0 .. 50 $^{\circ}$ C
Storage temperature	-20 .. 70 $^{\circ}$ C
Humidity	< 80 %, not-condensing
Protection	protective class II
Front protection	IP 54
Field of application	class 2, overvoltage protection II
CE	in conform with 89/336/EWG NSR 73/23/EWG

Ordering information

DM 3202-	
	Housing type
	0 Switch board
	1 Panel-Clip
	Front frame colour
	0 black
	Front design
	0 ERMA-Meter Logo
	1 No Logo
	2 Customer defined logo
	Power supply
	0 95 .. 250 V/AC
	1 18 .. 36 V/DC, isolated
	Option interface
	0 No interface
	1 Interface RS 485
	Options
	0 No options
	1 With analog output

Dimensions and Mounting

Switch board mounting



Panel clip

