

**Isolated
Digital Input/Output Board
Model IO 1283**

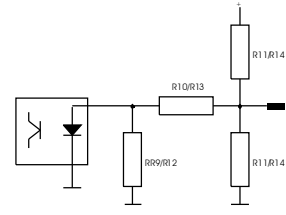
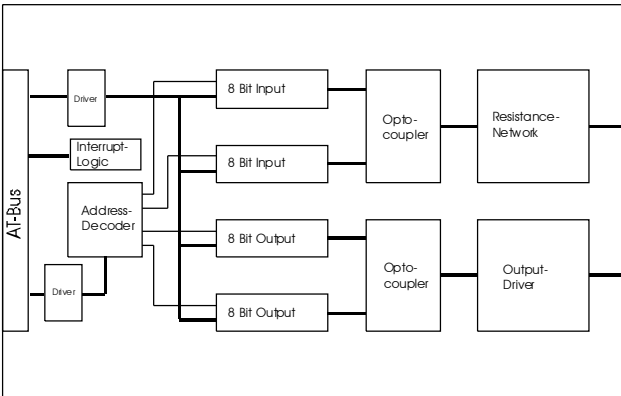
Highlights

- 16 optoisolated Input Channels
- Inputs By Software Interrupt Generating
- 16 Digital Output Channels, 0.5 A
- Output Short Circuit Protected
- Inputs/Outputs SPS-Compatible
- Meets EMV-Specifications

General

The IO 1283 is a digital I/O card designed to interface with PC's internal ISA-BUS through any available expansion slot. The main feature of the board is the input/output-to-system isolation, protecting the data acquisition system from damage caused by high external voltages. The input/output voltage level is 24 V. By this way inputs and outputs can be directly connected to SPS's.

All outputs are of the source type. The max. output current is 0.5 A. All outputs are short circuit protected. When using the output channels an external voltage must be applied (p. e. 24 V for SPS's). The external voltage may be in the range from 18 V to 30 V.



Connector
External input and output signal are applied to a DB37-male connector.
Software
A disk is included with programming examples for Basic, Turbo Pascal, C, Visual Basic, 16 Bit DLL for Windows 3.X, and a 32 Bit DLL for Windows 95.

Programming

The BASE address is switch selectable and can be located anywhere up to 3FEh. Only two I/O addresses are needed using 8-bit or 16-bit read/write commands. This allows installing multiple boards in the same host at the same time. After power-on or a reset, outputs are switched off. Additionally no initialization of the card is needed. Inputs can be programmed to generate interrupts. When using interrupts it is possible to select IRQ5, 10, 11, 12 or 15 by a jumper.
Digital Input Channels
The digital inputs use plug-in resistance networks to adjust input voltages. By this way almost any input voltage level can be realized (see figure 2). Input signals must be positiv to common GND.
Digital Output Channels

Technical Specifications

Input Channels	: 16 Inputs optoisolated interrupt generating
Interrupt	: IRQ5, 10, 11, 12 oder 15
Input Voltage Level	: 24 V
Input Resistance	: 5 kΩ
Output Channels	: 16 Outputs optoisolated short circuit protected
Output Current	: max. 0,5 A
Output Voltage	: max. 30 V
Power Supply	: +5 V, max. 0,2 A
Connector	: DB37-male
EMV	: EMV-conform with 89/336/EWG
Operating Temperature	: 0 - 50 °C
Storage Temperature	: - 25 bis +85 °C
Dimensions	: 199 x 100 mm

Ordering Information
IO 1283