

■ Programmable Digital Panel Meter Model UM 3020

Highlights

- Signal Input 0 - 10 V and 0/4 - 20 mA
- DIN Housing 96 x 48 mm
- LED Display 14 mm
- Switchboard- or Mosaic System Mounting
- Plug-In Screw Terminal
- Isolated Power Supply
- Optocouple Output

UM 3020

- Voltage 0 - 10 V
- Current 0 - 20 mA resp. 4 - 20 mA
- Display range -999 .. 9999
- Resolution max. 4000 digits
- Accuracy 0,1% ±1 digit

Software Functions

- Scaling-factor
- Userdefined linearization up to 9 points
- Adjustable digital filter
- Peak detection
- Decimal point
- Last digit in 1, 2, 5 or 10 steps
- Display test

Functions Of Push Buttons And Digital Input Channels

The instrument is provided with three digital input channels. The digital input channels are low active. The digital inputs are carried out following functions:

- Programming
- Display test
- Reset of peak detection
- Display of limiting value

Optocoupler Output

The instrument is provided with a optocouple output. Alternatively the optocouple output can be programmed for following functions:

1. Serial Output

Continually measured value transmitting at ASCII-Code with following data format

- Sign or X, X, X, (dp), X, 0D_H, 0A_H
- 9600 Bd, 1 start bit, 8 data bits, 1 stop bit

2. Limiting Value

The instrument is provided with a optocoupler output for limiting value function. Following function can be programmed:

- Alarm point and hysteresis



- High or low alarm
- During normal measurement the alarm value can be programmed by the push buttons "+" and "-".

Power Supply

- 18 .. 36 V DC isolated
- Optional 12 V DC isolated
- Optional 5 V DC isolated

Programming

The programming is easy and clearly arranged. By means of a programming menu the user is taken through this programming. The programming is carried out through the digital input channels.

Options

Housing

- Switch board mounting DIN 43700
- Mosaic system mounting (Subklev, Siemens 8RU)

Color Of The Front Frame

- Black

Design Of The Front

- Without front foil
- Front foil ERMA-METER or NEUTRAL
- Unit overprint

Display Color

- Red
- Green

Technical data

Display : 4 decades, 14 mm, rot (opt. green)

Input impedance : at voltage > 1 MΩ
: at voltage approx. 10 Ω

Conversion rate : approx. 5 per sec

Digital inputs : 10 kΩ to +5 V
: low level < 0,4 V
: high level > 3,5, max. 30 V

Optocouple output
Limit value : max. 10 mA, 70 V, max. 150 mW
Serial data : 9600 baud, 1, 8, N, 1

Power supply DC : 18 V to 36 V DC, isolated
optional : 12 V DC, ± 10 %, isolated
optional : 5 V DC, ± 10 %, isolated

Power consumption : approx. 65 mA (red)
(18 .. 36 V DC) : ca. 75 mA (green)

Housing : switch board mounting DIN 43700
Dimensions : 96 x 48 x 72 mm
Depth : < 63 mm incl. screw terminal
Protection : front IP 54

EMV : in conform with 89/336/EWG
Operating temperature : 0 .. 50 °C

Ordering information

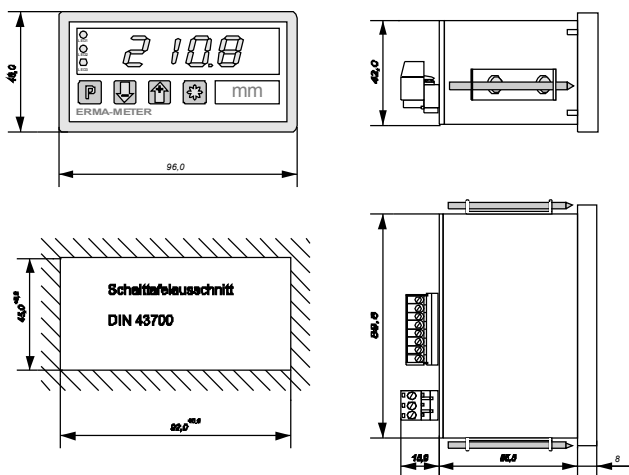
UM 3020 -	
	Housing
	0 Switch board mount
	1 Panel clip
	Front Frame Color
	0 Black
	Front Design
	0 Without front foil
	1 Front foil ERMA-METER
	2 Front foil NEUTRAL
	Display Color
	0 Red
	1 Green
	Power Supply
	0 5 V DC, ± 10%, isolated
	1 12 V DC, ± 10 %, isolated
	2 18 .. 36 V DC, isolated

Unit overprint

Please specify in clear text at order !

Dimensions

Panel Mounting



Panel Clip

