

■ Programmable Low Cost Digital Panel Meter UM 3300

Characteristics

- Input for standard signals 0-10V and 0/4-20 mA
- LED Display, red, 4 decades, 14 mm
- Display Range -999 - 9999
- DIN Housing 96 x 48 mm
- free scaling
- Isolated Power Supply
- Power supply 5 VDC - 36 VDC
- Plug-In Screw Terminal
- Programmable front buttons



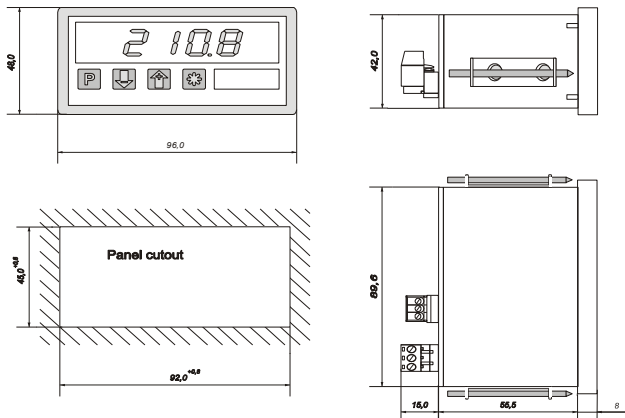
Measuring Ranges

- Input Voltage Range 0 - 10 V
- Input Current Range 0 - 20 mA
- Input Current Range 4 - 20 mA
- Resolution 12 bit

Software Functions

- Scaling-factor
- Digital filtering
- Taring
- Min/Max detection
- Decimal point
- Functions of three push buttons at the front
- Display test

Dimensions



Specifications

Ranges

Voltage	: 0..10 V, ±0,05%, ± 1digit
Input impedance	: > 50 kΩ
Current	: 0(4)..20mA, ±0,05%, ±1digit
Input impedance	: 10 Ω
Resolution	: 12 Bit
Conversion rate	: approx. 5 per sec

Display

: 4 decades, 14.2 mm, red programmable decimal point, leading zero suppression minus sign

Display range

: -999 .. 9999

Operation, keyboard design

: front membrane w/ push buttons

Power supply DC

: 6 V to 36 V DC, isolated
Power consumption : max. 65 mA

Case

Depth : 96 x 48 x 63.5 mm
Protection case at front : <72 mm incl. screw terminal
Protection case connection : IP 54
: IP 20

CE

: 2014/30/EU, 2014/35/EU, 2011/65/EU+2015/863

Operating temperature

: 0 .. 60 °C

Storage temperature

: -20 .. 70 °C

Humidity

: < 80 %, not-condensing

Field of application

: class 2
overvoltage protection II
: approx. 200 g

Weight

Ordering Information

UM 3300 -	0	0	x	0	x	
						Housing
						0 Switchboard
						Reserved
						Front design
						0 Reserved
						1 Jessen-ERMA Logo
						2 No Logo
						Reserved
						Reserved